



medical **ECONET**  
GERMANY



All Devices battery powered

All Devices with LED



## PXM-20 BT Plus PXM-40 BT Plus VET-20 BT

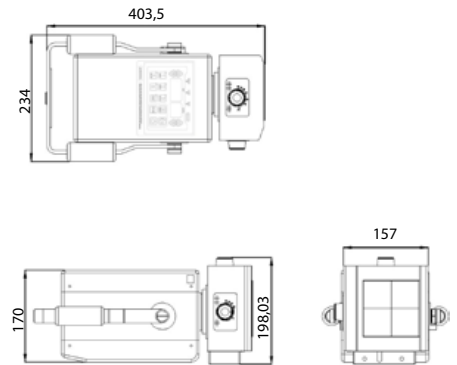
- Hybrid: Devices can be operated by internal battery or by external power supply
- Great advantage for outdoor radiography
- Innovative approach by high performance lithium-ion polymer battery
- Up to 650 exposures by just one charging
- Strong body against external shock and contamination
- Exclusive remote controller using by hand switch
- Fully charge only within 4 hours
- Optional WiFi module for working without any cables

# Specifications

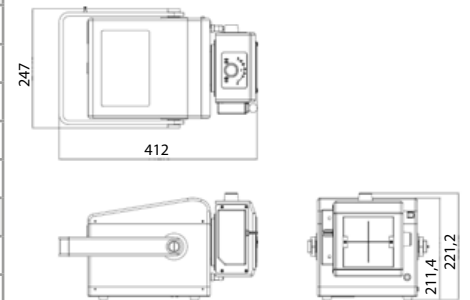
Model	PXM - 20 BT Plus	PXM - 40 BT Plus	VET - 20 BT
<b>Output</b>			
Tube Vol./Current	100 kV / 20 mA	100 kV / 35 mA	90 kV / 20 mA
Voltage range	40 - 100 kV in 1 kV steps	40 - 100 kV in 1 kV steps	50 - 90 kV in 1 kV steps
mAs Range	0,4 mAs - 100 mAs 32 steps	0,4 mAs - 100 mAs 35 steps	0,4 mAs - 20 mAs 25 steps
Max. output	1,6 kW at 80 kV	2,4 kW at 80 kV	1,6 kW at 80 kV
<b>X-ray Tube</b>			
Application	Toshiba D - 124	Toshiba D - 124	OX / 70 CEI
Focal Spot	1,2 mm	1,2 mm	1,2 mm
HU capacity	20 kHU	20 kHU	10 kHU
<b>Collimator</b>			
Max. Light field: 35 cm x 35 cm @ cm SID Min. Light field: 5 cm x 5 cm @ 100 cm SID			
Lamp	LED	LED	LED
Laser Pointer	built-in dual laser	built-in dual laser	built-in dual laser
<b>Power</b>			
Input	110 / 220 VAC (Free-Voltage)	110 / 220 VAC (Free-Voltage)	110 / 220 VAC (Free-Voltage)
Frequency/phase	50 / 60 Hz, single phase	50 / 60 Hz, single phase	50 / 60 Hz, single phase
Voltage comp.	± 10 %	± 10 %	± 10 %
<b>Features</b>			
7 - segment LED read out reversible, Hand switch remote control function			
WIFI DR Interface	optional	optional	built-in
PROM Memory	15 APR	21 APR	15 APR
Weight	11,2 kg	14,2 kg	7,2 kg
Dimensions	225 x 170 x 340 mm	250 x 214 x 349 mm	203 x 174 x 307 mm
<b>Battery</b>			
Type	Li-polymer	Li-polymer	Li-polymer
Capacity (mAh)	4800	4800	4800
Exposures full charge	max. 560 at 80 kV / 2 mAs	max. 650 at 60 kV / 3,2 mAs	max. 560 at 80 kV / 2 mAs
Charging time	4 hours	4 hours	4 hours

## Dimensions

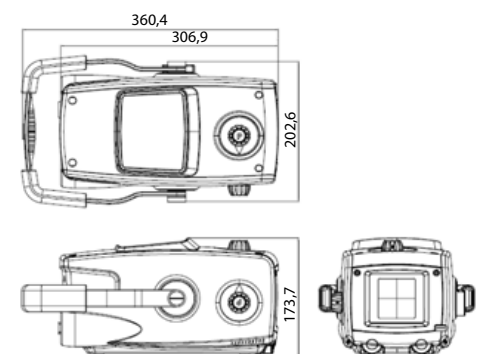
### PXM - 20 BT Plus



### PXM - 40 BT Plus



### VET - 20 BT



## Standard Accessory

### Charger, Battery & Hand switch



### Aluminium Carrying Case



## Optional Accessories

### PXMS - 1800 Mobile Stand



Im Erlengrund 20, 46149 Oberhausen - Germany

t: +49 (0) 208 377 890-0 info@medical-econet.com  
f: +49 (0) 208 377 890-55 www.medical-econet.com  
facebook.com/medicaleconetgermany  
twitter.com/medicaleconet

distributor